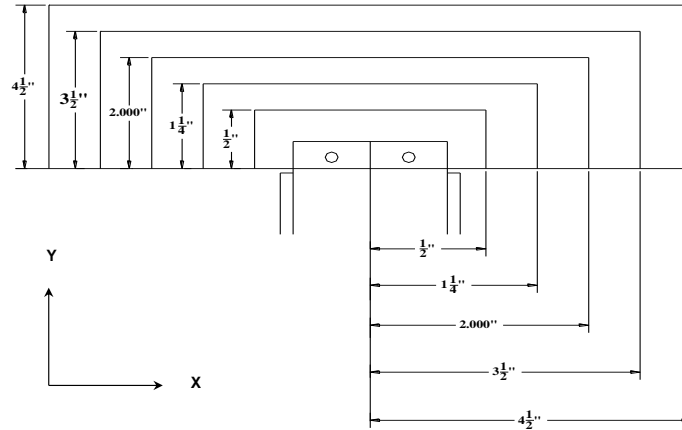
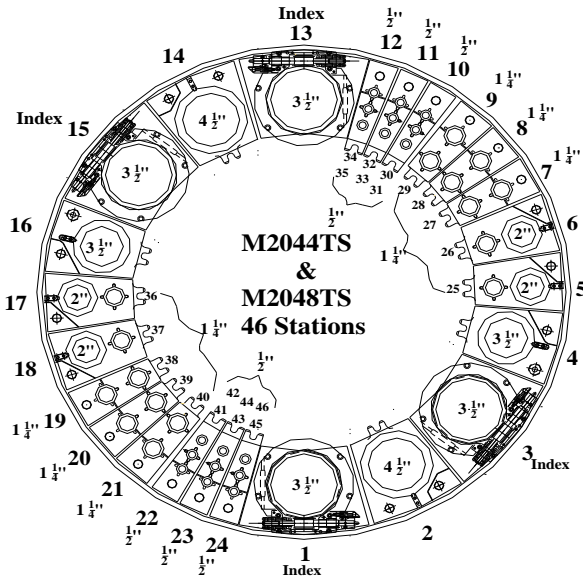


Max Station Range	1/2" Round Only	1/2"	1 1/4"	2.00"	3 1/2"	4 1/2"	Auto Index	Multi-Tool
Act. Station Range							3 1/2"	3 1/2"
No. of Stations	6	12	16	4	2	2	4	2 Possible
Round/Oround	.5" & Under	.5" & Under	.501" to 1.250"	1.251" to 2.00"	2.001" to 3.500"	3.501" to 4.500"	2.001" to 3.500"	
Square	N/A	0.500" Across Corners	1.250" Across Corners	2.000" Across Corners	3.500" Across Corners	4.500" Across Corners	3.500" Across Corners	
Rectangle	N/A	0.500" Across Corners	1.250" Across Corners	2.000" Across Corners	3.500" Across Corners	4.500" Across Corners	3.500" Across Corners	
Punch Holder O.D.	1.019"	1.019"	1.883"	2.750"	4.374"	5.250"		
Die Holder I.D.	1.000"	1.000"	1.875"	3.500"	4.938"	6.250"		



Safety Zones:	X	Y	(US) Tonnage Limits:
0.500"	+/-2.125"	0.945"	Machine: 22
1.250"	+/-2.559"	1.378"	Auto Index: 16.5
2.000"	+/-2.992"	1.811"	
3.500"	+/-3.819"	2.638"	
4.500"	+/-4.252"	3.070"	
Cell Ready add +/-0.563"			

Note: The Auto Index stations can be either 1.250", 2.000", 3.500", or Multi-Tool, depending on customer requirements.

Load Position: X49.213 Y49.213 M30 (M2044TS)
 X98.425 Y49.213 M30 (M2048TS)

Throat Depth: 52.756" (1340mm)

Travel Range: Minimum Maximum
 X -0.984 50.197 (M2044TS)
 X -0.984 99.409 (M2048TS)
 Y 0.000 51.969 (Inner Track)
 Y -1.575 (Center Track)
 Y -3.150 49.410 (Outer Track)

