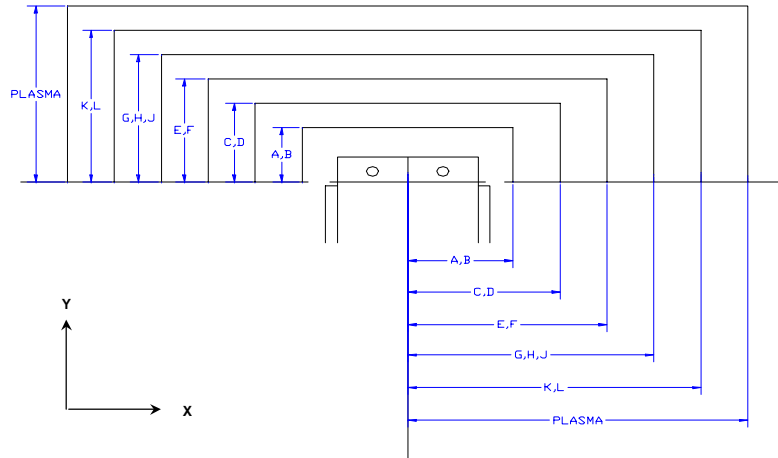
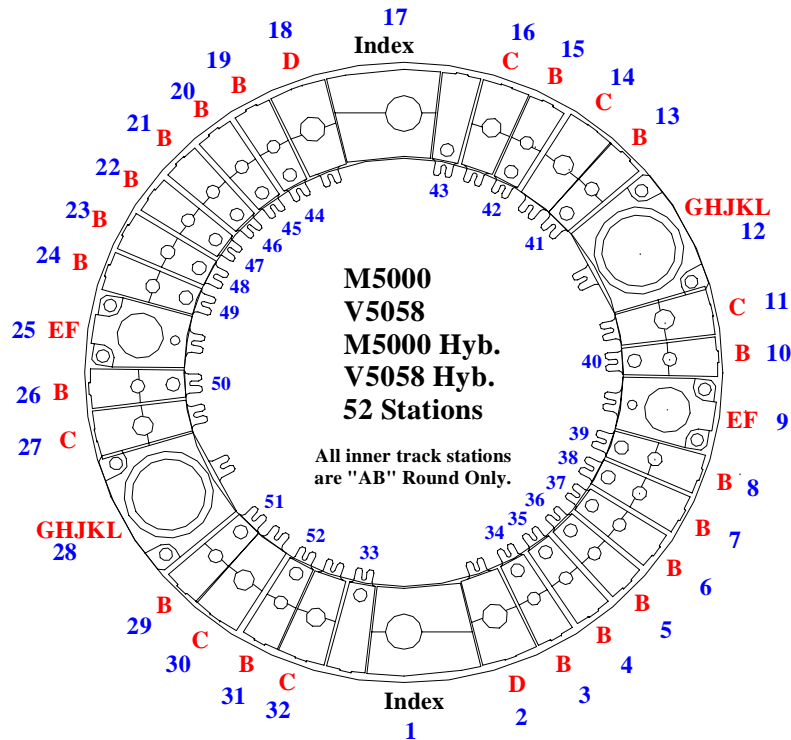


Max Station Range	AB	B	C	D	EF		GHJKL				Auto Index	
					E	F	G	H (114)	J (114)	K (114)		L (114)
Act. Station Range												
No. of Stations	20	18	6	2	1	1	0	0	0	1	1	2
Round/Oround	1.000" & Under	1.000" & Under	Over 1.000" to 1.500"	Over 1.500" to 2.00"	Over 2.000" to 2.500"	Over 2.500" to 3.000"	Over 3.000" to 3.500"	Over 3.500" to 4.125"	Over 4.125" to 4.750"	Over 4.750" to 5.500"	Over 5.500" to 6.000"	Over 1.500" to 2.00"
Square	N/A	0.625" & Under	Over 0.625" to 0.875"	Over .875" to 1.250"	Over 1.250" to 1.625"	Over 1.625" to 1.875"	Over 1.875" to 2.250"	Over 2.250" to 2.750"	Over 2.750" to 3.125"	Over 3.125" to 3.625"	Over 3.625" to 4.000"	Over .875" to 1.250"
Rectangle	N/A	0.875" Max Across Corners	1.219" Max Across Corners	1.750" Max Across Corners	2.250" Max Across Corners	2.625" Max Across Corners	3.125" Max Across Corners	3.875" Max Across Corners	4.437" Max Across Corners	5.125" Max Across Corners	5.625" Max Across Corners	1.750" Max Across Corners
Punch Holder O.D.	2.250"	2.250"	3.125"	3.375"	4.563"	4.563"	6.750"	6.750"	6.750"	6.750"	7.500"	3.375"
Die Holder I.D.	1.563"	1.563"	2.250"	2.750"	3.500"	4.000"	4.500"	5.250"	6.000"	7.000"	7.500"	2.750"



Safety Zones:	X	Y	(US) Tonnage Limits:	
AB	+/-2.756"	1.575"	Machine - M5000	45
CD	+/-3.307"	2.126"	Machine - V5000	50
EF	+/-3.898"	2.717"	Machine - V5058	50
GHJ	+/-4.606"	3.425"	Auto Index:	16.5
KL	+/-5.000"	3.819"	Vari-Tool:	N/A
PLASMA	+/-6.810"	5.550"		
Laser (Contact)	+/-3.346"	1.575"		
Laser (Non-Con)	+/-4.331"	2.559"		

Cell Ready add +/- .563" to X

The customer must specify the range of stations 12 and 28, when placing the order.

Load Position: X72.047 Y60.039 M30 (M5000) Throat depth: 63.898" (1623mm)
 X98.425 Y60.039 M30 (V5058) Throat depth: 63.898" (1623mm)

Over Travel: X = +/- 0.984" (25mm)
 Y = + 0.987" (25mm M5000) +1.772" (45mm V5058)
 Y = - 2.756" (70mm) Dist. between inner & outer track (Outer track)
 Y = - 0 (Zero) Inner track

